

NOTE
 △ Six-point mount shown.
 Serials 0002 & subs w/ four point mount:
 Nose landing gear assembly installation
 is identical to six-point mount.

DETAIL A

Serials 0002 thru 2333,
 2335 thru 2419, 2421 thru 2437.

SR22_PC32_1182D

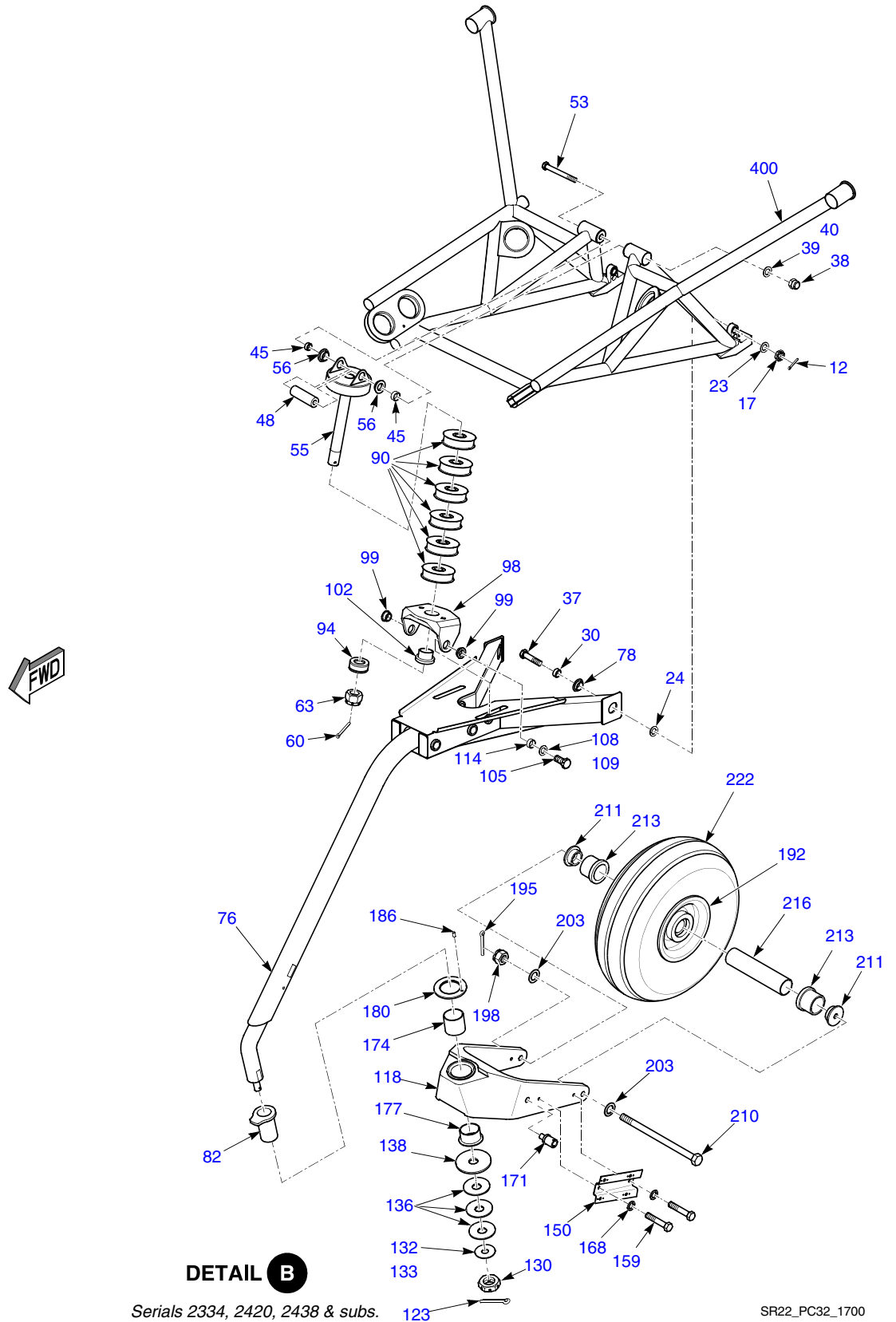
Figure-02

Nose Landing Gear Assembly and Installation - Serials 0002 thru 2437 (Sheet 1 of 2)

32-20-02

Page 0
 15 Apr 2007

EFFECTIVITY:
 Serials 0002 thru 2437



DETAIL B

Serials 2334, 2420, 2438 & subs.

SR22_PC32_1700

Figure-02

Nose Landing Gear Assembly and Installation - Serials 2438 & subs (Sheet 2 of 2)

EFFECTIVITY:
Serials 2438 & subs

FIG NO	ITEM	PART NUMBER	SYMBOL	ATTACH	NOMENCLATURE	VENDOR	EFFECTIVE FROM	EFFECTIVE TO	UNIT PER ASSY
					12345678				
-02	-	1		**	NOSE LANDING GEAR INSTALLATION		0002		NP
	-	3			·NOSE LANDING GEAR STRUT ASSEMBLY		0002	0074	1
					FOR SPARES USE P/N 14082-004				
	-	6			·NOSE LANDING GEAR STRUT ASSEMBLY		0075	0138	1
					FOR SPARES USE P/N 14082-004				
	-	9			·NOSE LANDING GEAR STRUT ASSEMBLY		0139	1348	1
					FOR SPARES USE P/N 14082-004				
	-	10			·NOSE LANDING GEAR STRUT ASSEMBLY		1349	2437	1
	-	11			·NOSE LANDING GEAR STRUT ASSEMBLY		2438		1
		12	MS24665-285	A	·COTTER PIN		0002		2
		15	AN320-8	A	·NUT		0002	1961	2
		16	AN310-8	A	·NUT		1962	2437	2
		17	AN320-8	A	·NUT		2438		2
	-	18	NAS1149F0863P	A	·WASHER		0002	1961	1
					ALTERNATE FOR P/N NAS1149F0832P				
		19	NAS1149F0832P	A	·WASHER		0002	1961	1
					ALTERNATE FOR P/N NAS1149F0863P				
	-	20	NAS1149F0863P	A	·WASHER		1962	2437	2
					ALTERNATE FOR P/N NAS1149F0832P				
	-	21	NAS1149F0832P	A	·WASHER		1962	2437	2
					ALTERNATE FOR P/N NAS1149F0863P				
	-	22	NAS1149F0863P	A	·WASHER		2438		1
					ALTERNATE FOR P/N NAS1149F0832P				
		23	NAS1149F0832P	A	·WASHER		2438		1
					ALTERNATE FOR P/N NAS1149F0863P				
		24	NAS1149F1032P	A	·WASHER		0078		2
		27	13705-001	A	·SPACER, BUSHING		0002	0077	2
		30	13705-003	A	·SPACER, BUSHING		0078		2
		33	NAS6608-25D	A	·BOLT, W/ 4-POINT MOUNT		0002	0655	2
		34	NAS6608-10D	** A	·BOLT, W/ 6-POINT MOUNT		0656	1961	2
					BEFORE SB 2X-71-06				
		35	NAS6608-10D	A	·BOLT, W/ 6-POINT MOUNT		0002	1961	2
					AFTER SB 2X-71-06				
		36	NAS6608-14D	A	·BOLT, W/ 6-POINT MOUNT		1962	2437	2
		37	NAS6608-10D	A	·BOLT, W/ 6-POINT MOUNT		2438		2
		38	MS21045L8	A	·NUT		0002		1
		39	NAS1149F0863P	A	·WASHER		0002		1
					ALTERNATE FOR P/N NAS1149F0832P				
		40	NAS1149F0832P	A	·WASHER		0002		1
					ALTERNATE FOR P/N NAS1149F0863P				
	-	42	13705-001	A	·SPACER, BUSHING		0002	0077	2
		45	13705-003	A	·SPACER, BUSHING		0078		2
		48	13704-001	A	·SPACER		0002		1
		51	AN178-45A	A	·BOLT		0002	2051	1
		52	AN178-46A	A	·BOLT		2052	2437	1
		53	AN178-45A	A	·BOLT		2438		1
	-	54	13392-002		·UPPER PUCK PAN		0002	2341	1
		55	13392-003		·UPPER PUCK PAN		2342		1
		56	NAS77-10-013	A	·BUSHING		0002		2
		57	NAS1149F1690P	A	·WASHER		0002	2437	2
		60	MS24665-359	A	·COTTER PIN		0002		1
		63	AN310-15	A	·NUT		0002		1
	-	66	14074-001		·WELDMENT, NOSE LANDING GEAR		0002	0138	1
					FOR SPARES USE P/N 14074-004				

32-20-02

EFFECTIVITY:
All

FIG NO	ITEM	PART NUMBER	SYMBOL	ATTACH	NOMENCLATURE	VENDOR	EFFECTIVE FROM	EFFECTIVE TO	UNIT PER ASSY
					12345678				
-	69	14074-002			·WELDMENT, NOSE LANDING GEAR FOR SPARES USE P/N 14074-004		0139	0447	1
-	72	14074-003			·WELDMENT, NOSE LANDING GEAR FOR SPARES USE P/N 14074-004		0448	1348	1
	75	14074-004			·WELDMENT, NOSE LANDING GEAR		1349	2437	1
	76	18102-001			·WELDMENT, NOSE LANDING GEAR		2438		1
	78	NAS77-10-013	#	A	·BUSHING		0002		2
	81	11637-001			·SPINDLE CUP		0002	2437	1
	82	18110-002			·SPINDLE CUP		2438		1
	84	14296-001			·SPACER		0002	0794	1
							0796	0819	
	87	20583-001			·SPACER		0795	0795	1
							0820	2437	
	90	13386-001			·PUCK		0002		6
	93	13703-001			·BUMPER		0002	2437	1
					FOR SPARES USE P/N 18380-001				
	94	18380-001	\$		·BUMPER		2438		1
-	95	14073-001			·LOWER PUCK PAN ASSEMBLY FOR SPARES USE P/N 18104-001		0002	2437	1
-	96	18104-001	%		·LOWER PUCK PAN ASSEMBLY		2438		1
	97	14072-001			·LOWER PUCK PAN		0002	2437	1
	98	18105-002			·LOWER PUCK PAN		2438		1
	99	NAS77-10-025		A	·BUSHING		0002		2
	101	NAS77-18-085		A	·BUSHING		0002	2437	1
					FOR SPARES USE P/N 17481-001				
	102	17481-001		A	·BUSHING		2438		1
	105	NAS6608H5		A	·BOLT		0002		2
	108	NAS1149F0863P		A	·WASHER		0002		2
					ALTERNATE FOR P/N NAS1149F0832P				
	109	NAS1149F0832P		A	·WASHER		0002		2
					ALTERNATE FOR P/N NAS1149F0863P				
-	111	13705-002		A	·SPACER, BUSHING BEFORE SB 22-32-01 FOR SPARES USE P/N 13705-004		0002	0077	2
	114	13705-004		A	·SPACER, BUSHING AFTER SB 22-32-01		0002		2
	117	11638-002			·FORK ASSEMBLY		0002	0235	1
	118	11638-003			·FORK ASSEMBLY		0236		1
-	120	MS24665-285		A	·COTTER PIN BEFORE SB 22-32-02 FOR SPARES USE P/N MS24665-355		0002	0138	1
	123	MS24665-355		A	·COTTER PIN AFTER SB 22-32-02		0002		1
-	126	AN320-8		A	·NUT BEFORE SB 22-32-02		0002	0138	1
	129	MS17826-8		A	·NUT AFTER SB 22-32-02		0002	2437	1
	130	MS17825-8		A	·NUT		2438		1
	132	NAS1149F0863P		A	·WASHER		0002		1
					ALTERNATE FOR P/N NAS1149F0832P				
	133	NAS1149F0832P		A	·WASHER		0002		1
					ALTERNATE FOR P/N NAS1149F0863P				
	135	M12133/1-14P		A	·BELLEVILLE SPRING WASHER	V1CY13	0002	2437	4
					ORDER CIRRUS P/N 50750-101				

EFFECTIVITY:
All

FIG NO	ITEM	PART NUMBER	S Y M B O L	A T T A C H	NOMENCLATURE	VENDOR	EFFECTIVE FROM	TO	UNIT PER ASSY
				12345678					
	136	B1500-102		A	·BELLEVILLE SPRING WASHER		2438		3
					ORDER CIRRUS P/N 51853-001				
	138	AN970-8		A	·WASHER		0002		1
-	141	11633-004		·	·FORK		0002	0235	1
-	142	11633-005		·	·FORK		0236		1
-	144	11799-001		·	·PANT BRACKET		0002	0097	2
					BEFORE SB 22-32-02				
-	147	11799-002		·	·PANT BRACKET		0002	0439	2
					AFTER SB 22-32-02				
					ALTERNATE FOR P/N 11799-003				
	150	11799-003		·	·PANT BRACKET		0440		2
					ALTERNATE FOR P/N 11799-002				
-	153	AN3-3A		A	·BOLT		0002	0097	4
					BEFORE SB 22-32-02				
-	156	AN3H3A		A	·BOLT		0002	0439	4
					AFTER SB 22-32-02				
	159	AN3H3A		A	·BOLT		0440		4
-	162	NAS1149F0363P		A	·WASHER		0002	0097	4
					BEFORE SB 22-32-02				
-	165	NAS1149F0332P		A	·WASHER		0002	0439	4
					AFTER SB 22-32-02				
	168	NAS1149F0332P		A	·WASHER		0440		4
	171	11869-001		·	·TOWBAR LUG		0002		2
	174	24DU24		·	·BEARING	V26124	0002		1
					ORDER CIRRUS P/N 50544-001				
	177	24FDU16		·	·FLANGED BEARING	V26124	0002		1
					ORDER CIRRUS P/N 50543-001				
	180	G22DU		·	·THRUST WASHER	V26124	0002		1
					ORDER CIRRUS P/N 50545-001				
-	183	98381A502		·	·DOWEL PIN	V39428	0002	0235	1
					ORDER CIRRUS P/N 50546-001				
	186	92311A426		·	·SET SCREW		0236		1
					ORDER CIRRUS P/N 51183-426				
					ALTERNATE FOR P/N MS51964-51				
-	189	MS51964-51		·	·SET SCREW		0236		1
					ALTERNATE FOR P/N 92311A426				
	192	40-77		·	·NOSE WHEEL ASSEMBLY	V26433	0002		1
					ORDER CIRRUS P/N 12798-001				
	195	MS24665-283		A	·COTTER PIN		0002		1
	198	AN310-6		A	·NUT		0002		1
	201	NAS1149F0632P		A	·WASHER		0002	2062	2
-	202	NAS1149F0663P		A	·WASHER		2063	2437	4
	203	NAS1149F0632P		A	·WASHER		2438		2
	204	AN6-71		A	·BOLT		0002	2062	1
					ALTERNATE FOR P/N AN6-72				
-	207	AN6-72		A	·BOLT		0002	2062	1
					ALTERNATE FOR P/N AN6-71				
	208	AN6-73		A	·BOLT		2063	2437	1
					ALTERNATE FOR P/N NAS6606-108D				
-	209	NAS6606-108D		A	·BOLT		2063	2437	1
					ALTERNATE FOR P/N AN6-73				
	210	AN6-71		A	·BOLT		2438		1
	211	11635-001		·	·PLUG		0002		2
	213	10033-002		·	·SPACER		0002		2

FIG NO	ITEM	PART NUMBER	S Y M B O L	A T T A C H	NOMENCLATURE	VENDOR	EFFECTIVE FROM	TO	UNIT PER ASSY
					12345678				
	216	10024-003			·AXLE		0002		1
	- 218	12020-002			·TIRE		0002		1
					ALTERNATE FOR P/N 14075-001, 14075-003				
	- 219	14075-001			·TIRE		0002		1
					ALTERNATE FOR P/N 14075-003, 12020-002				
	222	14075-003			·TIRE		0002		1
					ALTERNATE FOR P/N 14075-001, 12020-002				
	- 225	14076-001			·TUBE		0002		1

REFERENCED ITEMS NOT PART OF ASSY/INSTL
 400 RF 71-20-01 DET ENGINE MOUNT FRAME ASSEMBLY

SYMBOL NOTES:

** SEE SPECIAL CONDITIONS SECTION OF IPC INTRODUCTION FOR DETAILED DESCRIPTIONS OF THE FOLLOWING:
 1) AIRCRAFT SERIAL NUMBER 0610, REFER TO SERIAL 0656 FOR PART IDENTIFICATION.
 2) AIRCRAFT SERIAL NUMBERS 2334 AND 2420, REFER TO SERIAL 2438 FOR PART IDENTIFICATION.
 SEE SPECIAL CONDITIONS SECTION OF IPC INTRODUCTION FOR DETAILED DESCRIPTION.

AIRCRAFT SERIAL NUMBERS 0002 THRU 0074: BUSHINGS INSTALLED AT OUTBOARD LOCATIONS.

\$ WASHER NAS1149F1690P NOT REQUIRED WHEN 18380-001 USED.

% SPACER 14296-001 OR 20583-001 NOT REQUIRED WHEN 18104-001 USED.

EFFECTIVITY:
 All